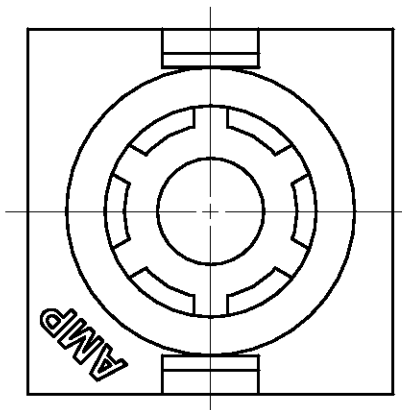
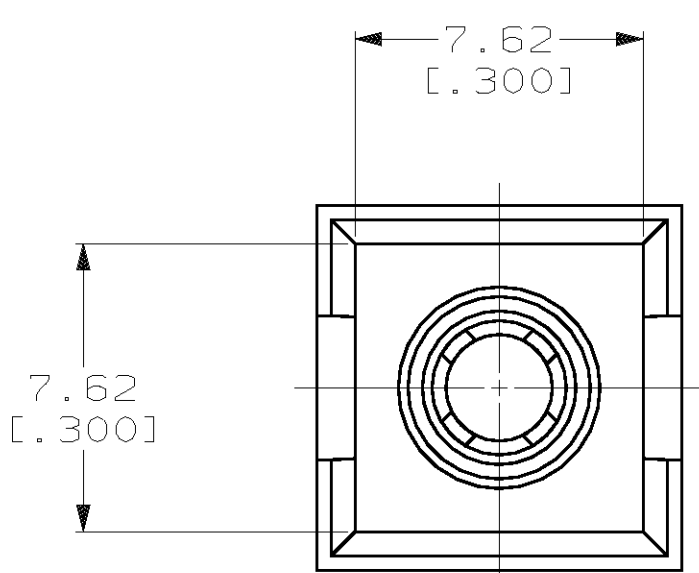
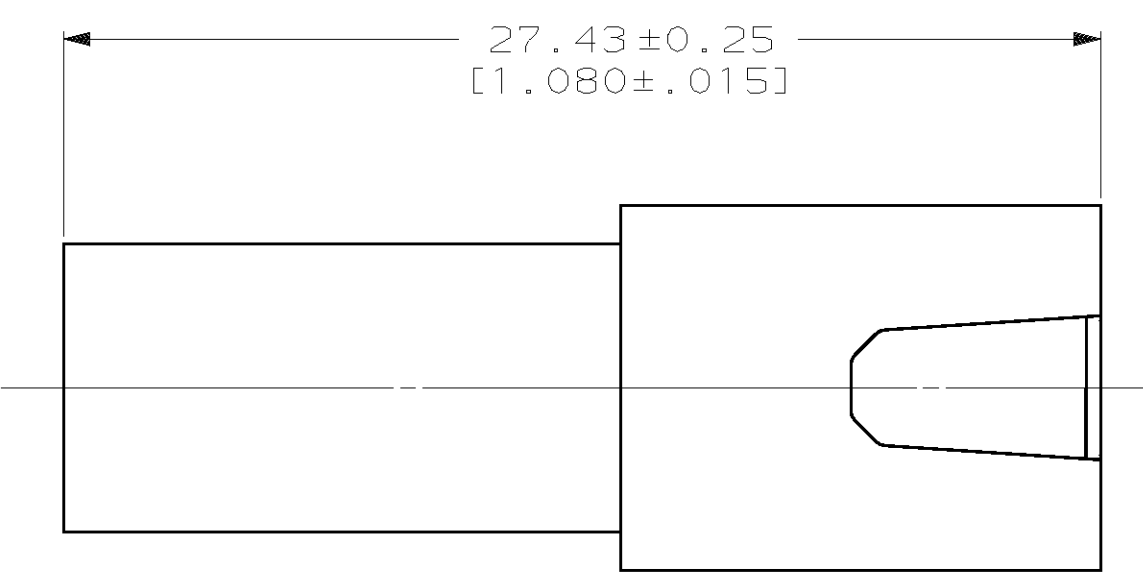
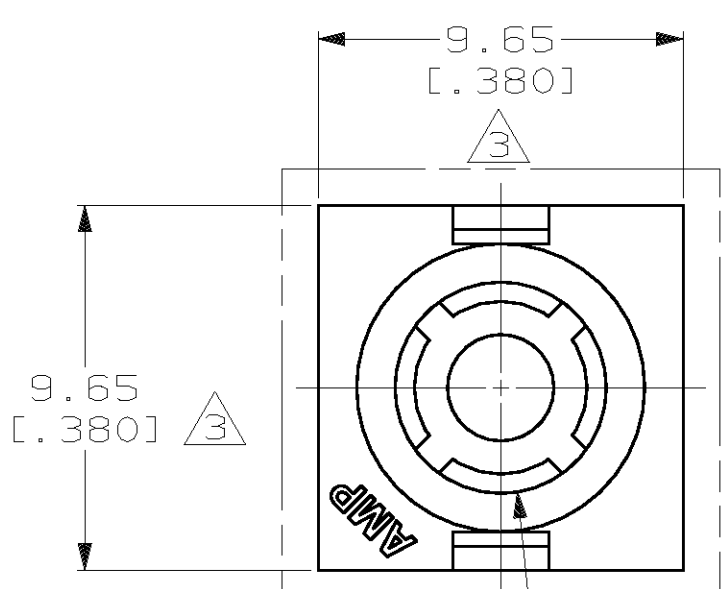
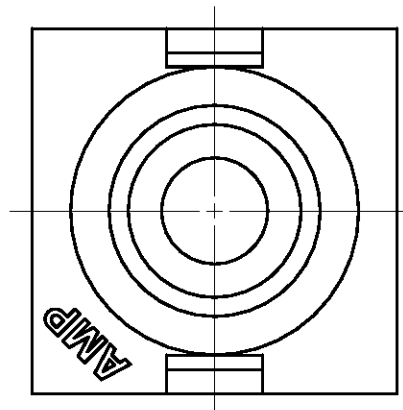
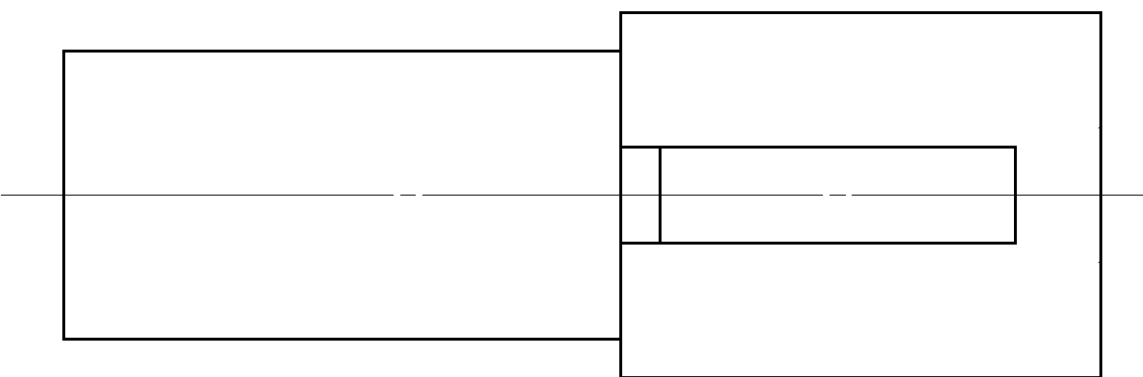


THIS DRAWING IS UNPUBLISHED. RELEASED FOR PUBLICATION  
 © COPYRIGHT 19 BY AMP INCORPORATED. ALL INTERNATIONAL RIGHTS RESERVED.

LOC	DIST	REVISIONS						
CM	53	P	F	ZONE	LTR	DESCRIPTION	DATE	APPD
					J	REV PER EC 0G1B-0184-98	03-NOV-98	JH RS

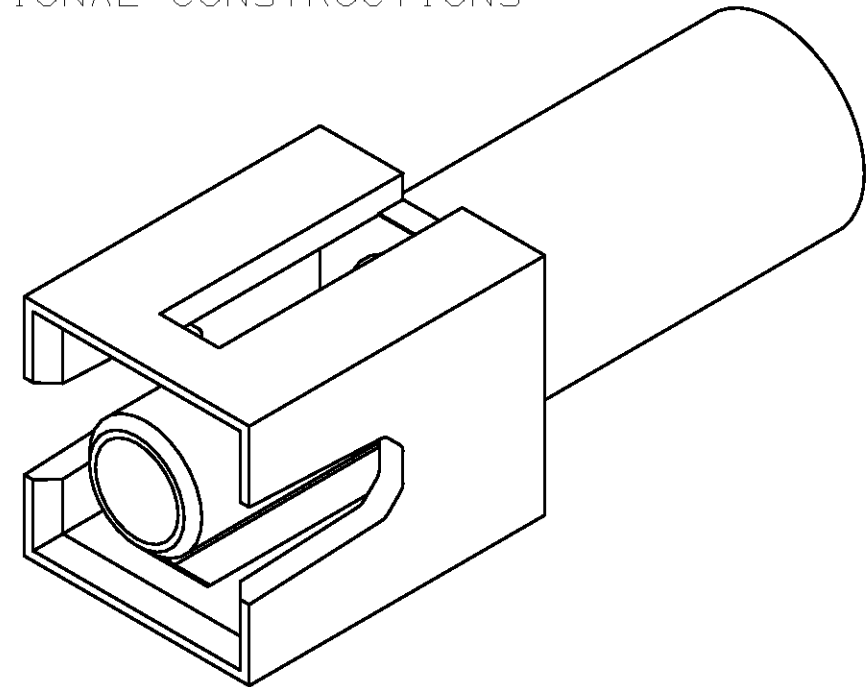


SEE DETAIL A



1. MATES WITH HOUSING 350867.
2. DIMENSIONS IN BRACKETS ARE IN INCHES.
3. DIMENSION INDICATED IS AS MOLDED. ADDITIONAL GROWTH DUE TO SUBSEQUENT MOISTURE ABSORPTION MAY OCCUR.
4. FOUR RIBS EQUALLY SPACED, NO SPECIFIC ORIENTATION. NO RIBS OR SIX RIBS EQUALLY SPACED, NO SPECIFIC ORIENTATION, OPTIONAL.

DETAIL A  
OPTIONAL CONSTRUCTIONS



3-DIMENSIONAL MODEL  
NTS

**METRIC**

770421-1  
PART NO

DO NOT SCALE PRINT. UNLESS SPECIFIED DIMENSIONS IN mm [INCHES] TOLERANCES ON: 2 PLC DEC ± 0.13 [0.005] 3 PLC DEC ± - ANGLES ± - MATERIAL NYLON, UL 94V-2 NATURAL	DR 8-12-91 K. WHITAKER	AMP Incorporated Harrisburg, PA 17105-3608	
	CHK 8-12-91 R. SWING		
FINISH -	APPD 8-12-91 D. SELF	SIZE C 00779	DRAWING NO 770421
	APPD 8-12-91 D. SELF	SCALE 5:1	SHEET 1 OF 1
	PRODUCT SPEC -		
	APPLICATION SPEC -		
	WEIGHT -		